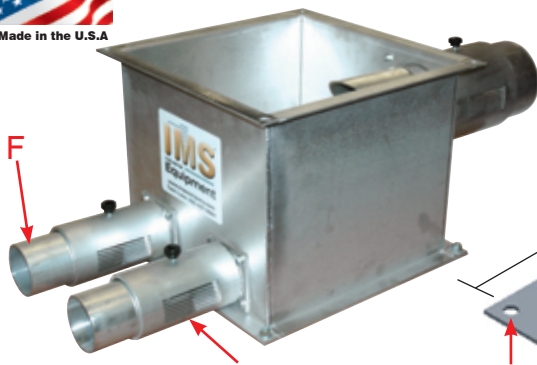


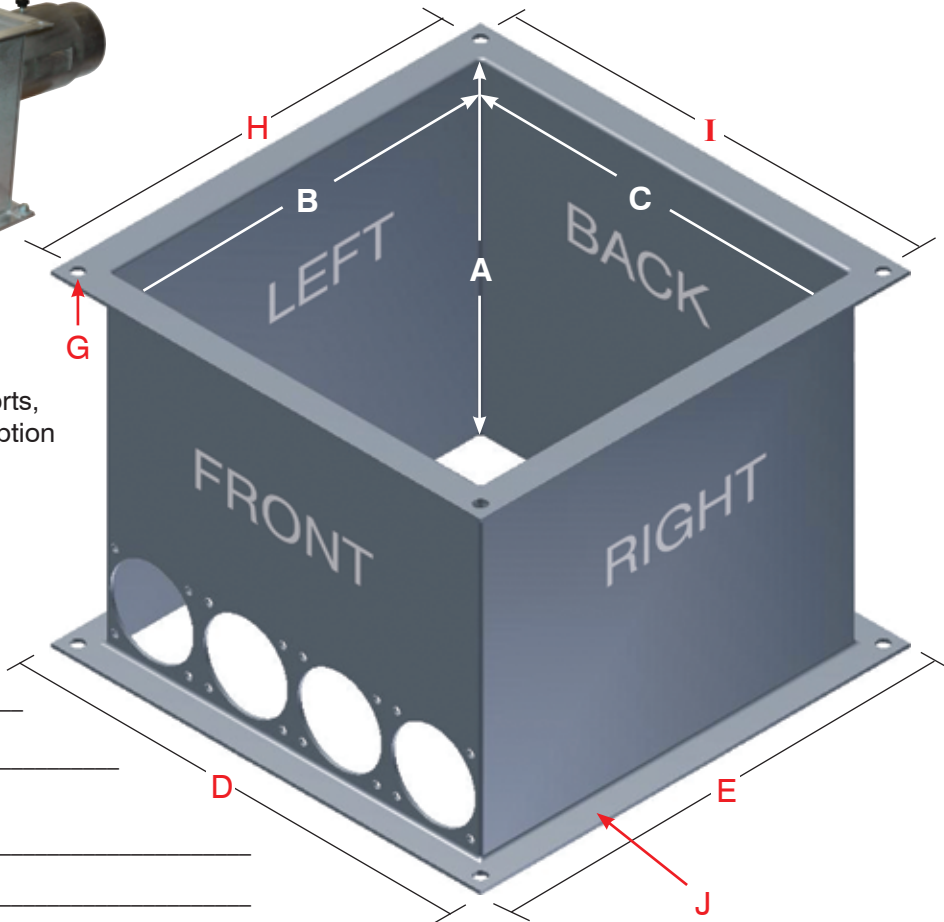


Custom Takeoff Box Quote/Ordering Form



Variable Air Adjustment

Example shown with 2 front ports,
1 rear port and air adjustment option



SPECIFY:

1. Material: Aluminum (standard)

Other: _____

2. (A) Height: _____

3. (B) Inside Depth: _____

4. (C) Inside Width : _____

5. Flange Size - (D): _____ x (E): _____

6. (F) Number of Ports: _____

(F) Port #1 OD: _____

Location: Front Back Left Right Air Adjustment: Yes No

(F) Port #2 OD: _____

Location: Front Back Left Right Air Adjustment: Yes No

(F) Port #3 OD: _____

Location: Front Back Left Right Air Adjustment: Yes No

(F) Port #4 OD: _____

Location: Front Back Left Right Air Adjustment: Yes No

(F) Port #5 OD: _____

Location: Front Back Left Right Air Adjustment: Yes No

(F) Port #6 OD: _____

Location: Front Back Left Right Air Adjustment: Yes No

7. (G) Hole Diameter: _____ Hole Center to Hole Center (H): _____ x (I) : _____

8. (J) Bottom Cleanout: Hinged or Bolted

Date: _____ Quantity: _____ Phone: (_____) _____ Fax: (_____) _____

Name: _____ Title: _____

Company Name: _____ Email: _____

Address: _____

City: _____ State: _____ Zip: _____

email: sales@imscompany.com fax: 1 888 288 6900